



BENEFITS

- Manufactured with Polyamide 6 modified with elastomer.
- Multidiameter.
- Fast installation.
- It can be fixed in STRUT channels.
- High resistance to pull out and axial forces.
- It can work with a continuous temperature pf 194 °F with a peak of 266 °F.
- Halogen free & phosphate free.
- Color Grey RAL 7035.
- Rusting and corrosion resistant.
- Thermal and electrical resistant.
- Temperature
 - To install 23 °F(*)/ 133 °F.
 - After installation: continuously 14 °F / 194 °F peak -13 °F / 230 °F.

(*) 32 °F installation using gas nailer.

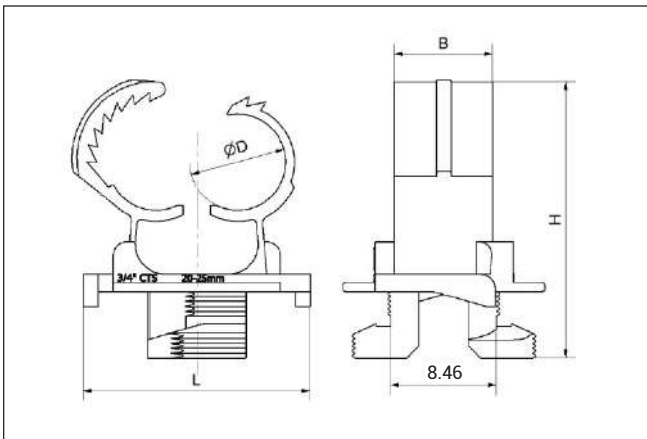
APPROVALS AND CERTIFICATE



STRUT CHANNELS

- Assembly in STRUT channels from 14 gauges.
- Assembly in SFS Fiberglass channels.

MAIN DIMENSIONS [inches]



Reference	φD	L	B	H
SSC 14-18	0.57	1.81	0.78	1.87
SSC 20-25	0.76	1.81	0.78	2.20
SSC 25-32	1	1.88	0.78	2.57
SSC 35-42	1.34	2.24	0.78	3.16
SSC 48-55	1.91	2.83	0.98	3.75
SSC 59-65	2.34	3.23	0.98	4.30

INSTALLATION PROCEDURE



RECOMMENDED LOADS

Tensile resistance according to UL Approval.

Reference	Conduit size		Load
	RMC, IMC, EMT	PVC	
SSC 14-18	1/2"	1/2"	50 lbs
SSC 20-25	1/2"	1/2"	50 lbs
SSC 25-32	3/4"	3/4"	50 lbs
SSC 35-42	1-1/4"	1-1/4"	75 lbs
SSC 48-55	1-1/2" RMC and IMC only		80 lbs
SSC 59-65	2"	2"	100 lbs

(*) Higher diameter in every case.

INSTALLATION PARAMETERS

In normal conditions of 73.4 °F:

- In horizontal positions the recommended distance is 4.92 ft for electrical installations and 3.28 ft for sanitary installations.
- In vertical positions the recommended distance is 6.56 ft for electrical installations and 4.26 ft for sanitary installations.

In conditions of 194 °F:

- The recommended distance for plumbing installation is 2.29 ft for horizontal positions and 3.28 ft for vertical positions.

RANGE OF PIPES

Reference	PIPE TYPE							
	EMT	IMC	RMC	PVC	Aluminum	Copper	CPVP	PVDF
SSC 14-18	1/2"					1/2" & 5/8"	1/2"	
SSC 20-25	3/4"	1/2"	1/2"	1/2"	1/2"	3/4"	3/4"	1/2"
SSC 25-32	1"	3/4" & 1"	3/4"	3/4"	3/4"	1"	1"	3/4"
SSC 35-42	1-1/4"	1-1/4"	1" & 1-1/4"	1" & 1-1/4"	1" & 1-1/4"	1-1/4" & 1-1/2"	1-1/4" & 1-1/2"	1" & 1-1/4"
SSC 48-55	1-1/2" & 2"	1-1/2"	1-1/2"	1-1/2"	1-1/2"	2"	2"	1-1/2"
SSC 59-65		2"	2"	2"	2"			2"

APPLICATIONS

- Holding of electrical and sanitary pipes and conduits.
- Optimal performance when fixing warm water pipes.



● ● ● **Small Things Matter** ● ●